

PIONEERING WASTE SOLUTIONS

The New Citybac® 370

SULO®

SULO®

THE PLUS FOR MORE ERGONOMIC.

EASY RECOGNITION

Lid prepared for color clips. Big plan areas for customization

PRESERVING RESOURCES

Use of up to 100 % recyclate in grey bodies

TILT FACILITATION

Bigger footstep for tilting in the back



ENHANCED MOBILITY

Big handles in the front. Easier to push bin backwards

ADJUSTABLE FILLING VOLUME

Body with moulded rail as standard for dividing wall for 3 different positions 50/50, 40/60 and 60/40



+LID TYPES

Standard Mono Lid



2-way lid



Butterfly lid
50/50



Butterfly lid
40/60



Butterfly lid
60/40



+PARTITION

Dividing Wall
50/50



Dividing Wall
40/60



Dividing Wall
60/40



+FRACTION MARKING

Clip for fraction marking, individual printing possible



Clip available in the colours



+LOCKS

Cylinder lock with automatic function



Cylinder lock without automatic function



+WHEELS

300 mm wheel



250 mm wheel



200 mm wheel



AUF MAXIMALE WIRKUNG AUSGELEGT.

DESIGNED FOR ECO-FRIENDLY EFFICIENCY AND ERGONOMICS

The F-Shape design not only ensures stability but also makes the bin lighter and more environmentally friendly. Key features like an ergonomically wave-shaped push handle, and a handy footstep underscore SULO's dedication to sustainability, detailed craftsmanship, and enhanced user support.





MAXIMUM RECYCLED PERCENTAGE.



OUR ENVIRONMENTALLY FRIENDLY RECOMMENDATION

Select bins with maximum recycled content and set an example for sustainability! With a lid with low colour intensity and a grey body, you get bins that contain up to 100% recyclates and thus protect the environment.

Bins made from recyclates can save up to 60% CO₂ equivalents compared to bins made from virgin material. See for yourself and choose bins made from recycled material that are not only environmentally friendly, but also economical.

To distinguish the different waste fractions, coloured lids, stickers and even hotfoil stamping can be chosen, which are not only functional but also contribute to sustainability.



Colour Clips



Stickers



Hotfoil



Embossing inserts



SUSTAINABILITY IN COLOUR: RECYCLED COLOURS FOR ENVIRONMENTALLY CONSCIOUS WASTE SEPARATION

To support environmentally conscious customers, SULO has developed three other recycling colours in addition to the classic grey bin. In addition to grey, green and brown bins can be produced from up to 100% recycled material.

The recyclate is obtained approx. 70 % post-consumer plastics and 30 % industrial plastics. In this way, SULO not only recycles waste, but also saves valuable resources.

ECO-FRIENDLY SCALE



81-100 % Recycled material



51-80 % Recycled material



21-50 % Recycled material

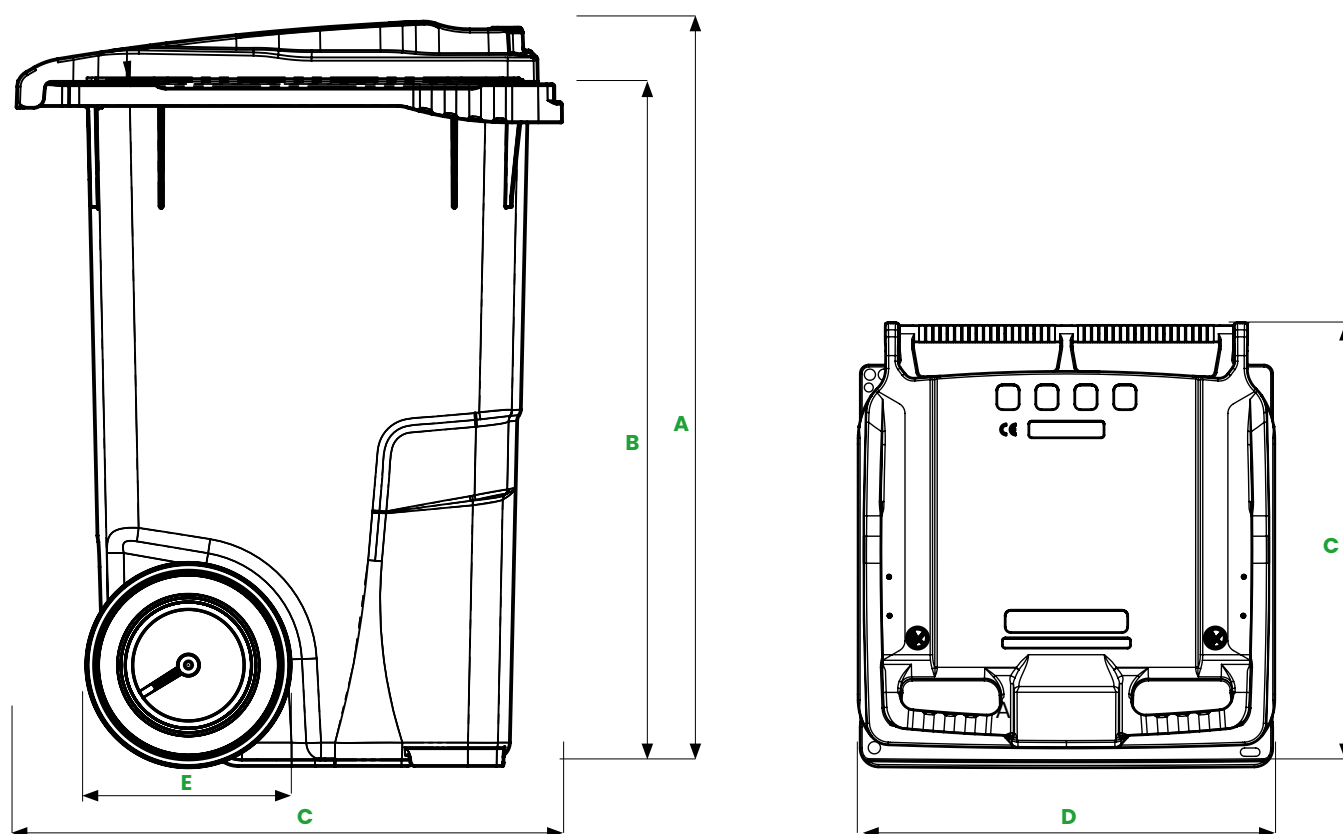


10-20 % Recycled material



0 % Recycled material

FACTS. FACTS. FACTS.



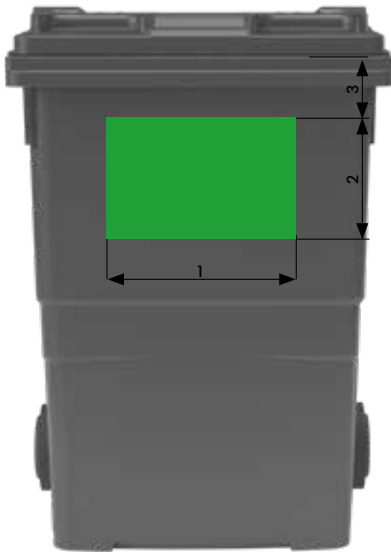
Dimensions (mm)

A Height total ~	1092
B Comb height ~	1000
C Bin depth ~	800
D Width total ~	747
E Wheel diameter ~	300

Weights

Nominal volume (L)	370
Empty weight (kg) ~	19,8
Max. total weight (kg) ~	170

+MARKING AREAS



Front view

	1	2	3
Hot foil stamping (mm) ~	250	240	145
Sticker - Plane areas (mm) ~	250	240	145



Top view
Standard Mono lid



Top view
Butterfly lid 50/50



Top view
Butterfly lid 40/60



Top view
Butterfly lid 60/40

	Standard Mono lid	2-way lid	Butterfly lid 50/50	Butterfly lid 40/60	Butterfly lid 60/40
① "NO HOT ASHES" ~	230 x 18	230 x 18	-	-	-
② Individual property marking* ~	220 x 40	220 x 40	60 x 35	60 x 35	60 x 35
③ SULO logo or other company logo ~	135 x 30	135 x 30	40 x 45	40 x 45	40 x 45
④ Engraving ~	40 x 45	40 x 45	40 x 45	40 x 45	40 x 45

TECHNICAL INFORMATION.

CITYBAC 370

LIFTING SYSTEM

DIN Comb

■

LID TYPE

Standard Mono Lid

■

Butterfly Lid 50/50¹⁾

■

Butterfly Lid 40/60¹⁾

■

Butterfly Lid 60/40¹⁾

■

PARTITION

Dividing wall - Vertical 50/50¹⁾

■

Dividing wall - Vertical 40/60

■

Dividing wall - Vertical 60/40

■

CLIPS

Colour Clips for fraction marking, individual printing possible

■

LOCKING SYSTEMS

Cylinder lock with automatic function²⁾

■

Cylinder lock without automatic function²⁾

■

Padlock device

■

1) Only available with matching divider wall 2) Auto lock and cylinder lock cannot be used with butterfly lid solution.

CITYBAC 370

WHEELS DIAMETER

ø 200 mm



ø 250 mm



ø 300 mm



ERGONOMIC WHEEL

Third wheel ø 125 mm



CHASSIS

Hollow axle



Full axle



LABELLING

Sticker, lid



Sticker, body



Embossing insert, lid



Hot foil stamping, lid



Hot foil stamping, body



Running numbers



IDENTIFICATION

RFID Chip



- Standard
- Option

