

ECOTEC Bench



OPTIONAL
available version
with USB charger

BOARDS

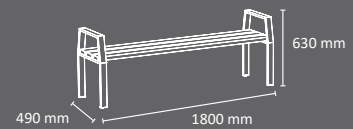
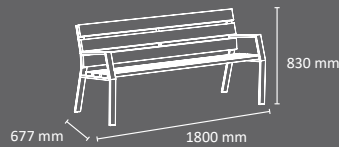
EcoTec standard
(recycled technical polymer)



EcoTec special colors
(recycled technical polymer)



STRUCTURE



VERSIONS



Bench
5 Boards



Bench
6 Boards



Backless Bench

COLORS EXAMPLE



Ecotec bench with
different colored boards

DETAILS



Anchor bolts fixing

BOARDS MATERIALS



Colored recycled technical
polymer

ACCESSORY



USB charger (acc)

- Versions: Coloured Bench (5 or 6 boards) & Backless bench.
 - Colored recycled technical polymer:
 - Very robust and resistant to extreme weather conditions. It does not require maintenance.
 - UV protection that offers two levels of resistance to solar impact according to the color category.
 - Ecological: Manufactured with at least 55% recycled material and 100% recyclable at the end of its useful life.
 - Anti-graffiti (can be cleaned with organic solvents as long as it is below 60 °C or with pressurized water).
 - High structural strength (reinforced).
 - Option of boards of different colors in the same bench.
 - Optional: version with USB charger available (factory mounted accessory).
 - USB charger features:
 - Valid to be used outdoors. Protection against water: IP67.
 - Incorporates the short-circuit protection system. The connector is momentarily annulled in the event of tampering or attempted damage, and then automatically reconnects when the action has ceased.
 - CE certificate.
 - Requires connection to the mains. (It has 11 meters of connection cable).**
 - ** The installation of the bench should be done as close as possible to the mains grid connection point. The closer it is, the faster the USB charging speed will be.
 - Legs and reinforcements made by steel tube and plates of galvanized steel with additional anticorrosion treatment incorporated and thermo-heating polyester powder coated finish.
 - Joining elements made of steel with high resistance anticorrosive treatment.
 - Can be fixed to the ground with 4 M8 expanding bolts (included)
 - Delivered assembled or not assembled depending the needs & customer requirements
 - Guaranteed reliability: this product has satisfactorily exceeded functionality and endurance tests under real environmental and usage conditions.
-






REFERENCE FOR ECOTEC BENCH STANDARD COLOR (WITHOUT USB CHARGER)

To process your order, all the codes that create the detailed reference must be chosen.



UV color
resistance - High

MODEL CODE

	Code	Description
	MPCU2414AAU	Ecotec Bench -Green- 5 Boards-Disassembled
	MPCU2414AAM	Ecotec Bench -Green- 5 Boards-Assembled
	MPCU2414ABU	Ecotec Bench -Green- 6 Boards-Disassembled
	MPCU2414ABM	Ecotec Bench -Green- 6 Boards-Assembled
	MPCU2424ACU	Ecotec Backless Bench -Green- Disassembled
	MPCU2424ACM	Ecotec Backless Bench -Green- Assembled

REFERENCE FOR ECOTEC BENCH OTHER COLORS (WITHOUT USB CHARGER)

To process your order, all the codes that create the detailed reference must be chosen.

MODEL CODE BOARDS COLOR CODE
____ / ____ / ____

COLOR CODE FOR ECOTEC BOARDS



UV color
resistance - High






UV color
resistance - Medium

Multicolor option
to consult

K

MODEL CODE

	Code	Description
	MPCU2414XAU	Ecotec Bench-Other Colours-5 Boards-Disassembled
	MPCU2414XAM	Ecotec Bench-Other Colours-5 Boards-Assembled
	MPCU2414XBU	Ecotec Bench-Otros colores-6 Listones-Desmontado
	MPCU2414XBM	Ecotec Bench-Other Colours-6 Boards-Assembled
	MPCU2424XCU	Ecotec Backless Bench-Other Colours-Disassembled
	MPCU2424XCM	Ecotec Backless Bench-Other Colours-Assembled

ACCESSORIES

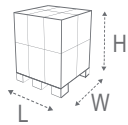
Reference		Description
MPCU24AC1		Charger USB Kit (Acc)

EXTRA FINISHES (TO IMPROVE CORROSION RESISTANCE)

Reference	Extra Finishes	Description
XT	*Extreme finishing	Additional Extreme Treatment Anticorrosive Primer Zinc Rich (for products made from galvanized steel) That meets the requirements of a corrosion class C5 according to DIN EN ISO 12944

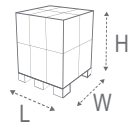
*Depends on request. MOQ required

PACKAGING-LOGISTIC DETAILS



Description	u. / pallet	Type of Packing Palletised	Pallet dimensions mm*			Pallet Weight	Volume
			Large	Width	Height		
Bench Assembled	2	shrink wrapped	1200	800	1950	111,8 Kg	1,87 m ³
Blackless Bench Assembled	2	shrink wrapped	1200	800	1950	68,4 Kg	1,87 m ³

*Could be changed to make easy the logistic optimization in case of mixed items
Ask for logistic optimization for full containers, trailers or trucks



Description	u. / pallet	Type of Packing Palletised	Pallet dimensions mm*			Pallet Weight	Volume
			Large	Width	Height		
Bench NOT Assembled	10	shrink wrapped	1810	800	1230	499 Kg	1,78 m ³
Blackless Bench NOT Assembled	10	shrink wrapped	1810	800	1230	282 Kg	1,78 m ³

*Could be changed to make easy the logistic optimization in case of mixed items
Ask for logistic optimization for full containers, trailers or trucks



Ecotec Bench 5 Boards

Materials

- Legs: Steel Pipe
- Boards 110x35mm section
- Joining Parts: High Strength Treaty Steel

Weight

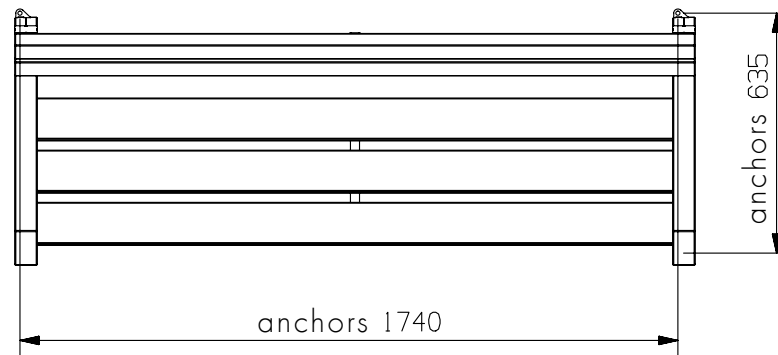
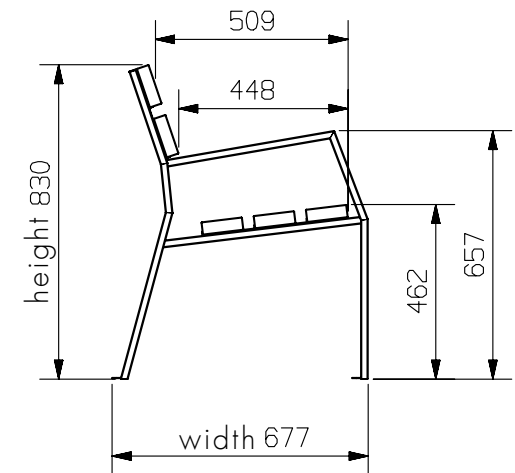
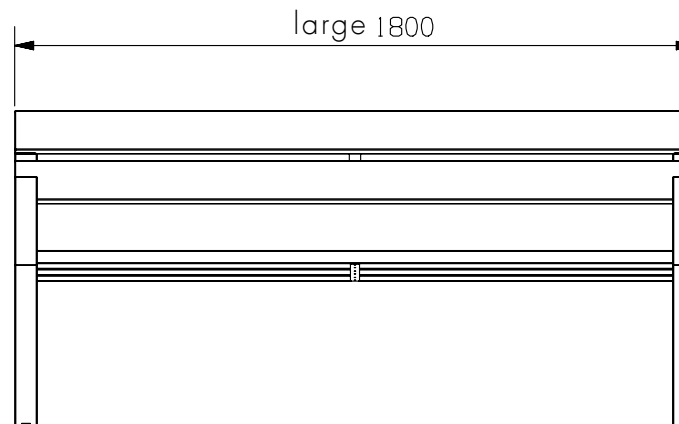
- 40kg.

Finished

- Legs: Special Treatment which rich zink anticorrosive primer and Thermo-heating polyester powder coated finish

Anchorage

- 4 M8 expanding bolts (included)



Scale 1:20



Ecotec Bench 6 Boards

Materials

- Legs: Steel Pipe
- Boards 110x35mm section
- Joing Parts: High Strength Treaty Steel

Weight

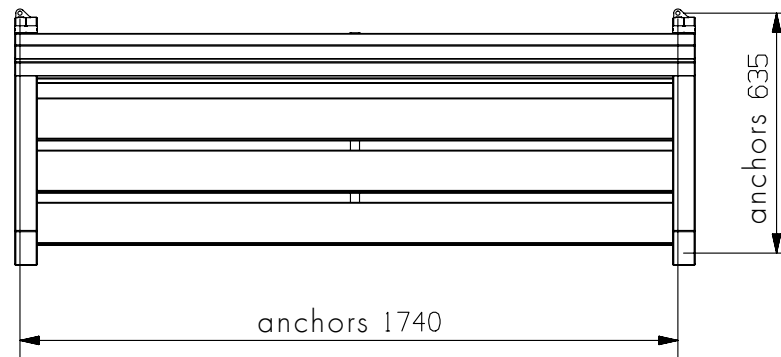
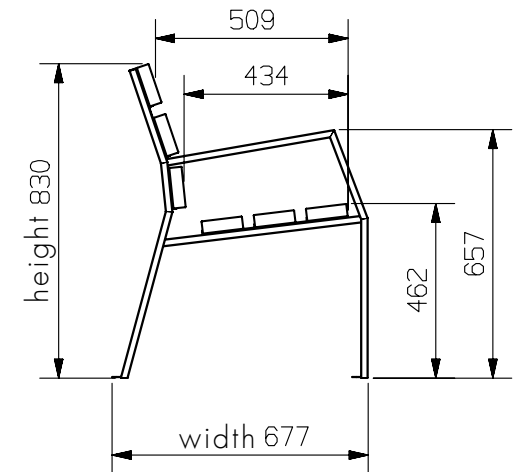
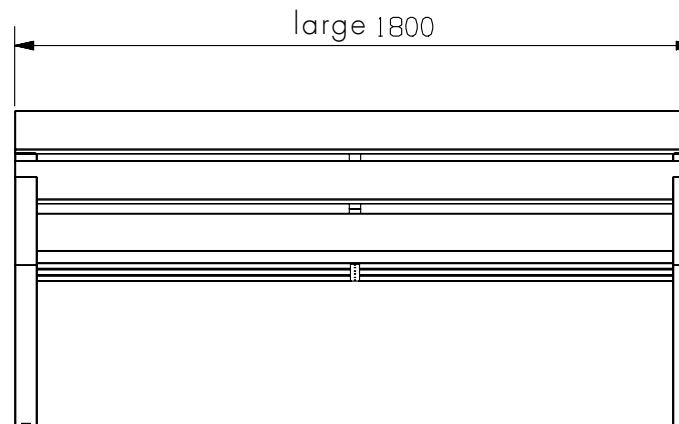
- 46kg.

Finished

- Legs: Special Treatment which rich zink anticorrosive primer and Thermo-heating polyester powder coated finish

Anchorage

- 4 M8 expanding bolts (included)



Scale 1:20



Ecotec Backless Bench

Materials

- Legs: Steel Pipe
- Boards 110x35mm section
- Joining Parts: High Strength Treaty Steel

Weight

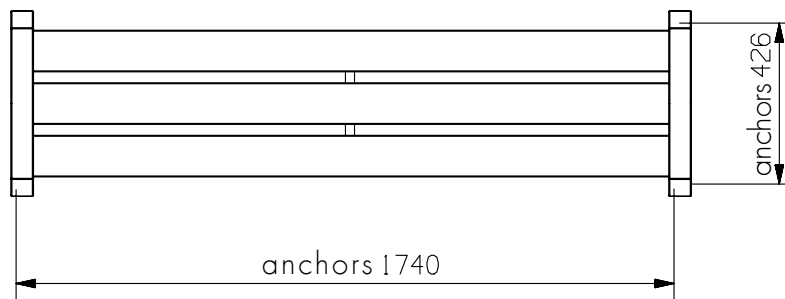
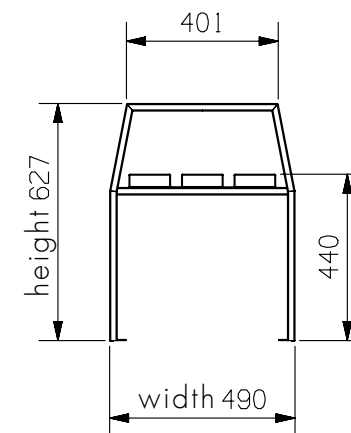
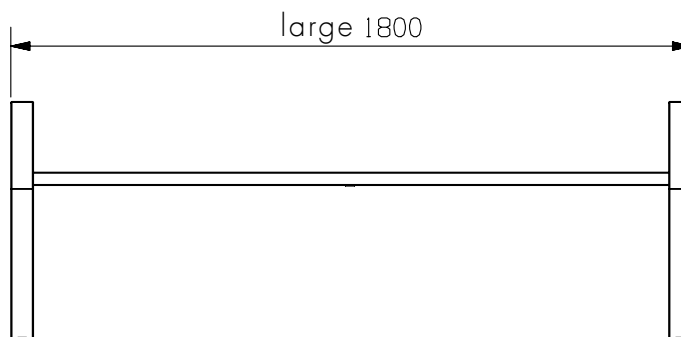
- 26kg.

Finished

- Legs: Special Treatment which rich zink anticorrosive primer and Thermo-heating polyester powder coated finish

Anchorage

- 4 M8 expanding bolts (included)



Scale 1:20