

VANCOUVER Bench



Backless Bench



Chair 6 Boards



Bench 5 Boards



Chair 5 Boards



Bench 6 Boards



available version with USB charger

BOARDS

Tropical wood



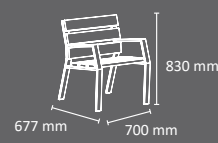
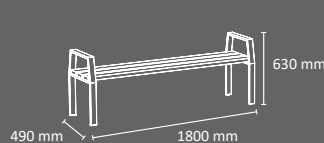
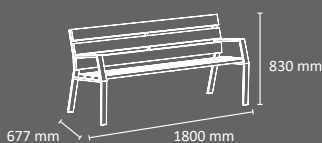
RePlast (recycled plastic)



STRUCTURE



manufactured by Cervic Environment



RECYCLED PLASTIC VERSIONS (REPLAST)



DETAIL



Anchor bolts fixing

BOARDS MATERIALS



Tropical Wood



RePlast (recycled plastic)

ACCESSORY



USB charger (acc)

- Versions: Bench & Chair (5 or 6 boards) & Backless bench
 - Available in two versions:
 - a) Wood
 - b) RePlast – Recycled Plastic (does not require maintenance) **
- ** Version especially recommended for promenades, coastal areas or places with high exposure to saline corrosion.

Optional: version with USB charger available (factory mounted accessory).

USB charger features:











- Valid to be used outdoors. Protection against water: IP67.
 - Incorporates the short-circuit protection system. The connector is momentarily annulled in the event of tampering or attempted damage, and then automatically reconnects when the action has ceased.
 - CE certificate.
 - Requires connection to the mains. (It has 11 meters of connection cable).**
- ** The installation of the bench should be done as close as possible to the mains grid connection point. The closer it is, the faster the USB charging speed will be.
- Legs and reinforcements made by steel tube and plates of galvanized steel with additional anticorrosion treatment incorporated and thermo-heating polyester powder coated finish.
 - Seat area made of:
 - a) Tropical wood protected by water-based "lassure".
 - b) Recycled plastic (RePlast) from post-consumer plastic waste.
 - Joining elements made of steel with high resistance anticorrosive treatment.
 - Can be fixed to the ground with 4 M8 expanding bolts (included)
 - Delivered assembled or not assembled depending the needs & customer requirements
 - Guaranteed reliability: this product has satisfactorily exceeded functionality and endurance tests under real environmental and usage conditions.



REFERENCE FOR VANCOUVER BENCH (WITHOUT USB CHARGER)

To process all your order, you must choose the corresponding model code.

MODEL CODE

TROPICAL WOOD		
	Code	Description
	MPCU2412AU	Vancouver Bench Tropical Wood -5 Boards-Disassembled
	MPCU2412AM	Vancouver Bench Tropical Wood -5 Boards-Assembled
	MPCU2412BU	Vancouver Bench Tropical Wood -6 Boards-Disassembled
	MPCU2412BM	Vancouver Bench Tropical Wood -6 Boards-Assembled
	MPCU2422CU	Vancouver Backless Bench Tropical Wood -Disassembled
	MPCU2422CM	Vancouver Backless Bench Tropical Wood -Assembled
	MPCU2412DU	Vancouver Chair Tropical Wood -5 Boards-Disassembled
	MPCU2412DM	Vancouver Chair Tropical Wood -5 Boards-Assembled
	MPCU2412EU	Vancouver Chair Tropical Wood -6 Boards-Disassembled
	MPCU2412EM	Vancouver Chair Tropical Wood -6 Boards-Assembled
REPLAST (RECYCLED PLASTIC)		
	Code	Description
	MPCU2413AU	Vancouver Bench RePlast -5 Boards-Disassembled
	MPCU2413AM	Vancouver Bench RePlast -5 Boards-Assembled
	MPCU2413BU	Vancouver Bench RePlast -6 Boards-Disassembled
	MPCU2413BM	Vancouver Bench RePlast -6 Boards-Assembled
	MPCU2423CU	Vancouver Backless Bench RePlast -Disassembled
	MPCU2423CM	Vancouver Backless Bench RePlast -Assembled
	MPCU2413DU	Vancouver Chair RePlast -5 Boards-Disassembled
	MPCU2413DM	Vancouver Chair RePlast -5 Boards-Assembled
	MPCU2413EU	Vancouver Chair RePlast -6 Boards-Disassembled
	MPCU2413EM	Vancouver Chair RePlast -6 Boards-Assembled

ACCESSORIES

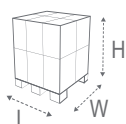
Reference		Description
MPCU24AC1		Charger USB Kit (Acc)

EXTRA FINISHES (TO IMPROVE CORROSION RESISTANCE)

Reference	Extra Finishes	Description
XT	*Extreme finishing	Additional Extreme Treatment Anticorrosive Primer Zinc Rich (for products made from galvanized steel) That meets the requirements of a corrosion class C5 I according to DIN EN ISO 12944

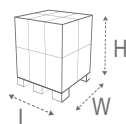
*Depends on request. MOQ required

PACKAGING-LOGISTIC DETAILS



Description	u. / pallet	Type of Packing Palletised	Packing details in pallet (Assembled)				Pallet Weight	Volume
			Large	Width	Heigh			
Bench Assembled	2	shrink wrapped	1200	800	1950	111,8 Kg	1,87 m ³	
Chair Assembled	4	shrink wrapped	1200	800	1550	112,6 Kg	1,48 m ³	
Blackless Bench Assembled	2	shrink wrapped	1200	800	1950	68,4 Kg	1,87 m ³	

*Could be changed to make easy the logistic optimization in case of mixed items
Ask for logistic optimization for full containers, trailers or trucks



Description	u. / pallet	Type of Packing Palletised	Packing details in pallet (NOT Assembled)				Pallet Weight	Volume
			Large	Width	Heigh			
Bench NOT Assembled	10	shrink wrapped	1810	800	1230	499 Kg	1,78 m ³	
Chair NOT Assembled	20	shrink wrapped	1200	800	1230	502,6 Kg	1,18 m ³	
Blackless Bench NOT Assembled	10	shrink wrapped	1810	800	1230	282 Kg	1,78 m ³	

*Could be changed to make easy the logistic optimization in case of mixed items
Ask for logistic optimization for full containers, trailers or trucks



Vancouver Bench 5 Boards

Materials

- Legs: Steel Pipe
- Boards 110x35mm section: Tropical Wood & RecyPlast
- Joining Parts: High Strength Treaty Steel

Weight

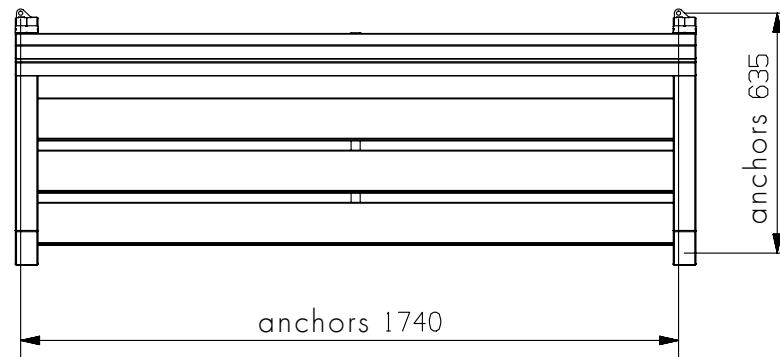
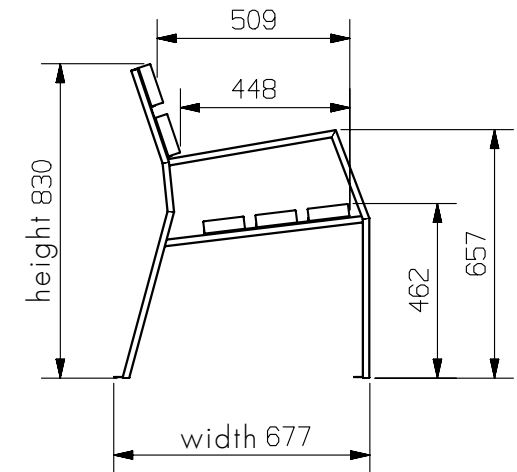
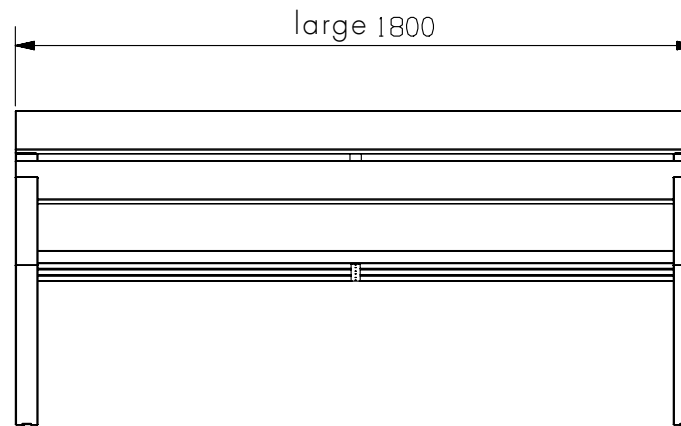
- Tropical Wood Version: 34,8Kg.
- RePlast (recycled plastic version): 42Kg.

Finished

- Legs: Special Treatment which rich zink anticorrosive primer and Thermo-heating polyester powder coated finish
- Tropical Wood Boards: Painted with aqueous lasur.
- RePlast: Recycled Plastic.

Anchorage

- 4 M8 expanding bolts (included)



Scale 1:20



Vancouver Bench 6 Boards

Materials

- Legs: Steel Pipe
- Boards 110x35mm section: Tropical Wood & RecyPlast
- Joing Parts: High Strength Treaty Steel

Weight

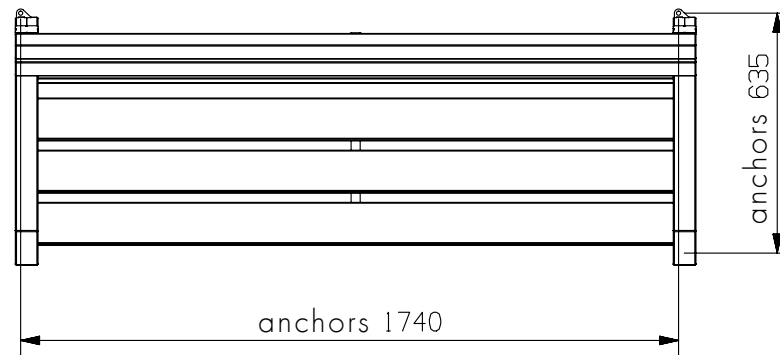
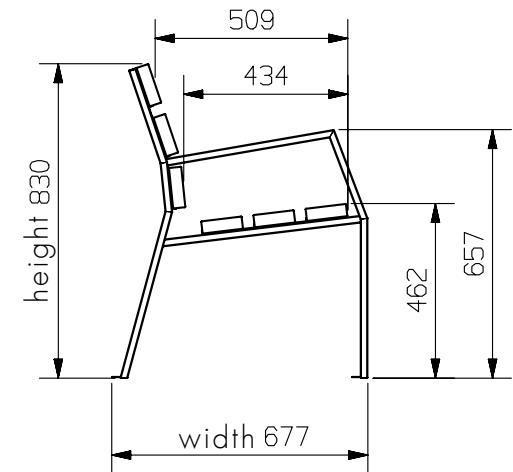
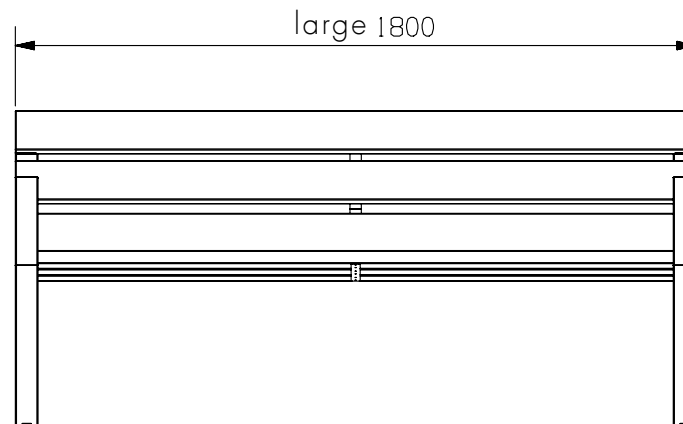
- Tropical Wood Version: 39,7Kg.
- RePlast (recycled plastic version): 48,4Kg.

Finished

- Legs: Special Treatment which rich zink anticorrosive primer and Thermo-heating polyester powder coated finish
- Tropical Wood Boards: Painted with aqueous lasur.
- RePlast: Recycled Plastic.

Anchorage

- 4 M8 expanding bolts (included)



Scale 1:20



Vancouver Chair 5 Boards

Materials

- Legs: Steel Pipe
- Boards 110x35mm section:Tropical Wood & RecyPlast
- Joing Parts: High Strength Treaty Steel

Weight

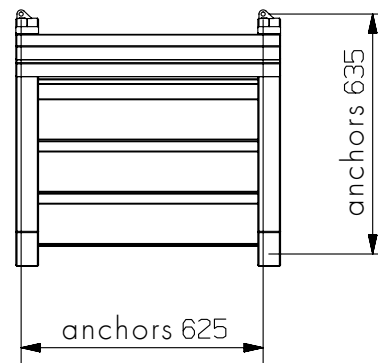
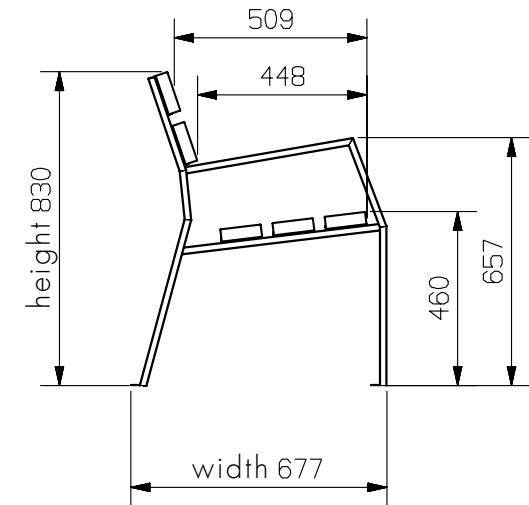
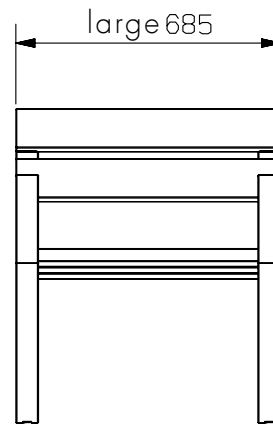
- Tropical Wood Version: 19,1Kg.
- RePlast (recycled plastic version): 21,9Kg.

Finished

- Legs: Special Treatment which rich zink anticorrosive primer and Thermo-heating polyester powder coated finish
- Tropical Wood Boards: Painted with aqueous lasur
- RePlast: Recycled Plastic.

Anchorage

- 4 M8 expanding bolts (included)



Scale 1:20



Vancouver Chair 6 Boards

Materials

- Legs: Steel Pipe
- Boards 110x35mm section: Tropical Wood & RecyPlast
- Joining Parts: High Strength Treaty Steel

Weight

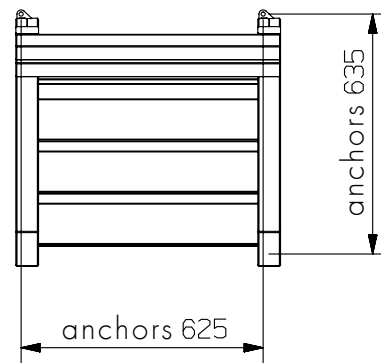
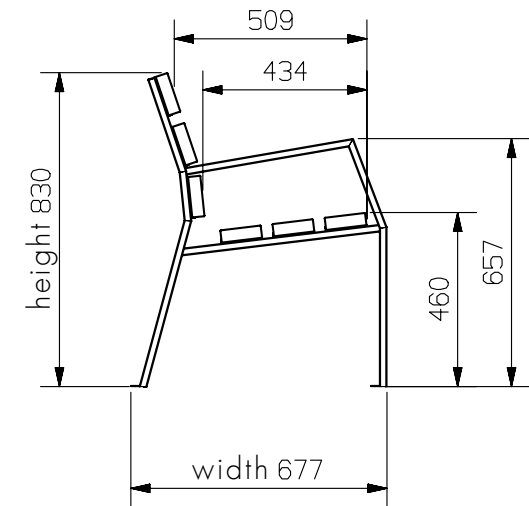
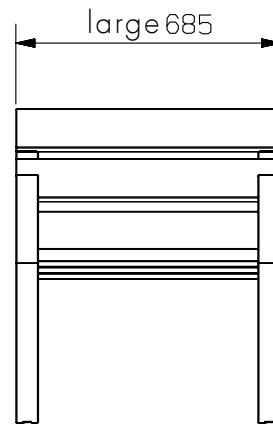
- Tropical Wood Version: 20 Kg.
- RePlast (recycled plastic version): 24,4Kg.

Finished

- Legs: Special Treatment which rich zink anticorrosive primer and Thermo-heating polyester powder coated finish
- Tropical Wood Boards: Painted with aqueous lasur.
- RePlast: Recycled Plastic.

Anchorage

- 4 M8 expanding bolts (included)



Scale 1:20



Vancouver Backless Bench

Materials

- Legs: Steel Pipe
- Boards 110x35mm section: Tropical Wood & RecyPlast
- Joining Parts: High Strength Treaty Steel

Weight

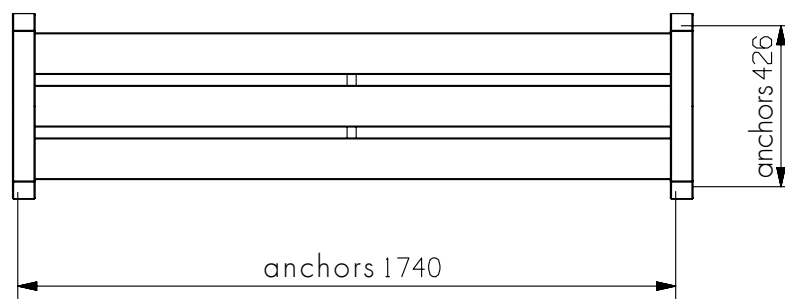
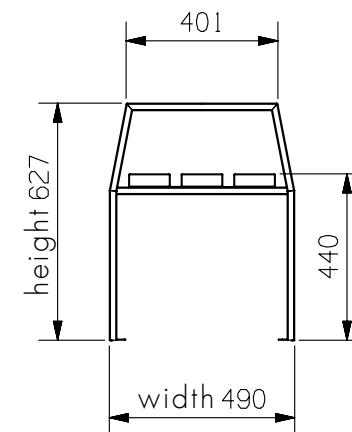
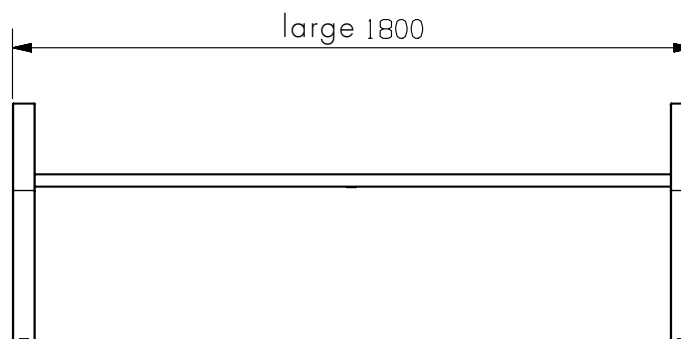
- Tropical Wood Version: 22,4Kg.
- RePlast (recycled plastic version): 26,7Kg.

Finished

- Legs: Special Treatment which rich zink anticorrosive primer and Thermo-heating polyester powder coated finish
- Tropical Wood Boards: Painted with aqueous lasur.
- RePlast: Recycled Plastic.

Anchorage

- 4 M8 expanding bolts (included)



Scale 1:20