

# CITYBAC®

## 180L



**SULO®**

# Citybac® 180L

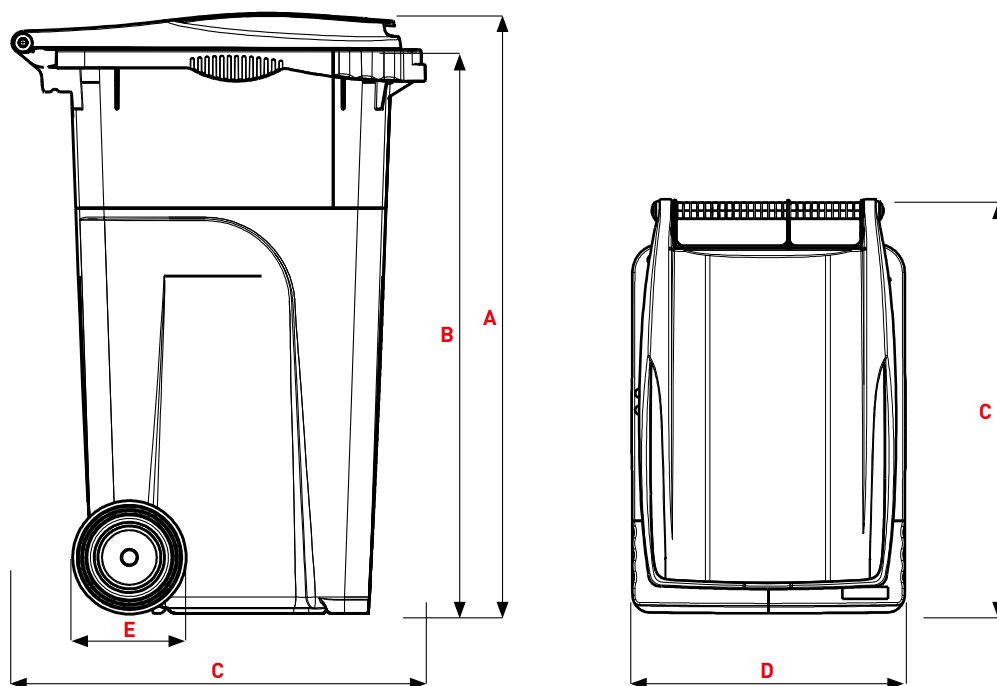
## PRODUCT DETAILS



- 1 Design Lid
- 2 3-sided all-round handle strip
- 3 Marking areas

- A Body
- B Handle bar
- C DIN comb lifting system, double stage
- D Marking areas
- E External wheels
- F Chip nest as standard
- G Lateral grip surfaces





## DESIGN LID

### Dimensions (mm)

<b>A</b> Height total ~	1075
<b>B</b> Comb height ~	1000
<b>C</b> Bin depth ~	730
<b>D</b> Width total ~	480
<b>E</b> Wheel diameter ~	200

### Weights

Nominal volume (L)	180
Empty weight (kg) ~	10,1
Max. filling weight (kg) ~ EN 840 Norm	72
Max. total weight (kg) ~	90

Dimensions may vary due to production conditions. The specified empty weights are rounded average based on the standard specifications. The actual weight may be different as a result of production conditions and specifications.

# Citybac® 180L

## PRODUCT DETAILS

### COLOURING



ANTHRACITE GREY  
RAL 7021  
AT

CIRCULAR ECO   


**Bin bodies** made of up to 100 % post-consumption recycle. We are able to achieve an average share of 70 % domestic recycle (packaging, caps) and 30 % nondomestic (bins, industrial scrap, pallets)

### 100% RECYCLED MATERIAL



RAL 7021



RAL 7011



RAL 6011



RAL 6009



RAL 8025



RAL 5023

### VIRGIN MATERIAL



RAL 9010



RAL 7038



RAL 5015



RAL 5005



PANTONE 5395C



RAL 3974GN



PANTONE 167 C



RAL 3000



RAL 3005



RAL 1018

### ALTERNATIVE COLOURS FOR THE BIN BODY



GREEN  
RAL  
6011  
VJ

CIRCULAR ECO   




BROWN  
RAL  
8025  
MR

CIRCULAR ECO   




BLUE  
RAL  
5023  
BN

CIRCULAR ECO   




RED  
RAL  
3000  
RN

CIRCULAR ECO   




ORANGE  
PANTONE  
167 C  
OF

CIRCULAR ECO   




YELLOW  
RAL  
1018  
JA

CIRCULAR ECO   


Other colours and colour combinations available on request, subject to sufficient order quantities. Colours may vary due to production. The colour values given according to RAL are guide colours.

## + OPTIONS

### FRACTION MARKING



Clip available in the colours



Label for Silent and Design Lid, individual printing possible

### LID SLOT SYSTEMS

Packaging



Lid-in-Lid, small Lid always in **Yellow RAL 1018**

Glass



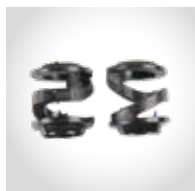
Round slot with rubber rosette Ø 150 mm, lock or bolt required

Paper



Paper hood for newspapers and magazines in **Blue RAL 5023**

### NOISE REDUCTION



Plastic damper spring for the wheels

### PARTITION



Butterfly Lid, dividing the bin horizontal to 40/60



Divider Wall - horizontal 40/60 or 50/50

### ACCESSORIES



Fixed position

### WHEELS



Lightweight, recycled and recyclable Ø 200 mm wheels



Solid rubber Ø 200 mm wheels



Solid rubber Ø 250 mm wheels

### LOCKING SYSTEMS



Automatic lock with triangular key



Automatic lock with individual key



Automatic bolt



Manual lock with triangular key

# Citybac® 2-Wheel

## TECHNICAL INFORMATION

180 LITRE

LIFTING SYSTEM	
DIN COMB	■
LID TYPE	
Standard	
Silent	
Design	■
Butterfly horizontal	■
LID SLOT SYSTEMS	
Paper	Design
Slot for confidential paper	
Glass	Design
Packaging	Design
Household waste	Design
Clips	■
NOISE REDUCTION	
Plastic damper	■
LOCKING SYSTEMS	
Manual lock	Design
Automatic lock	Design
Automatic bolt	Design
Padlock device	■
DIVIDER WALL	
Vertical 40/60	
Vertical 50/50	
Vertical 60/40	
Horizontal 40/60	■
Horizontal 60/40	■

## 180 LITRE

180 LITRE	
<b>HANDLES (NOT AVAILABLE ON MSTs)</b>	
Side handle	■
<b>WHEELS DIAMETER (HOLLOW OR SOLID AXLE)</b>	
ø 200 mm	■
ø 250 mm	■
ø 300 mm	
<b>ACCESSOIRES</b>	
Lid opening via pedal	
Poste fixe	Design
<b>ANTI-ODOUR</b>	
Anti-odour	■
<b>LABELLING</b>	
Photo injection on the lid	Design
Sticker	■
Embossing insert on the lid	■
Hot foil stamping	■
<b>IDENTIFICATION</b>	
RFID Chip	■
Specific numbering	■

**sulo.com**

DATA-CITYBAC-180L-LA-EN-1-0-201221

**SULO®**